

Virdi Contactless Request To Exit Button

EB030



Quick Start Guide

Please read these instructions carefully before operating the unit and keep for further reference.

The EB030 is a sleek, capacitive contactless RTE (request to exit) button with a sound and status indicator. The EB030 has been designed for internal applications and narrow architrave solutions.

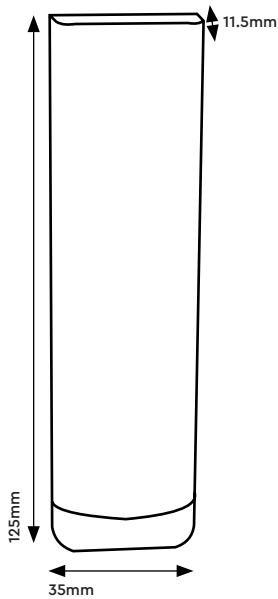
1. Product Features

- Non-contact exit button, free from hygienic issues
- Status indicator with high luminance LED
- Sound indicator (Beep sound which can be turned off via internal switch)

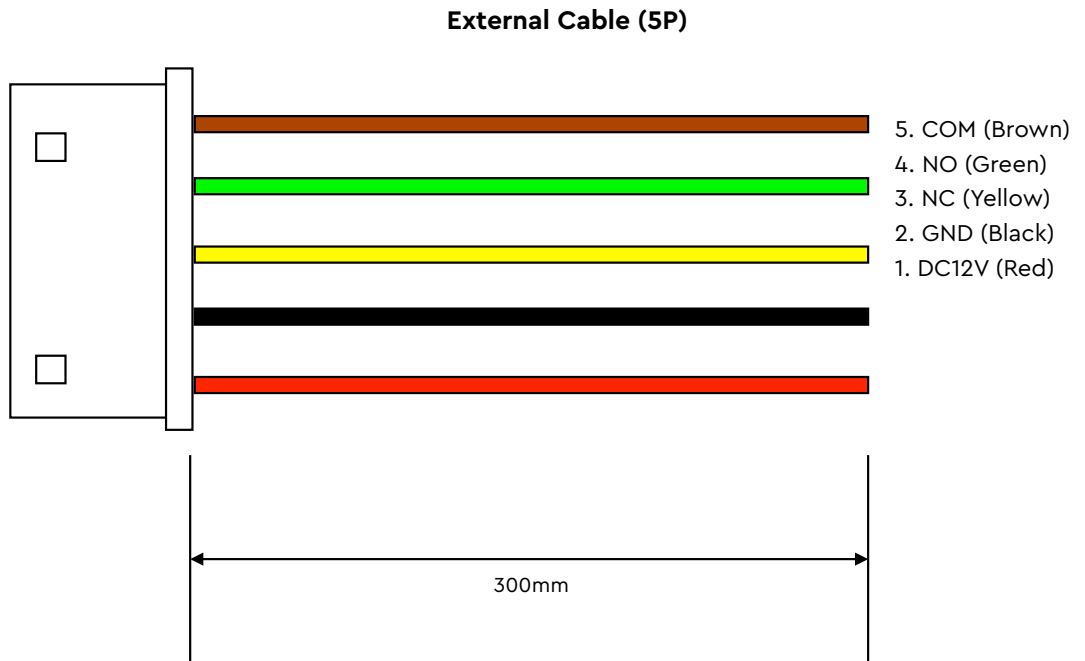
2. Specifications

Power	DC12V
Contact	NO / NC / COM
Illumination	White / Blue Exit LED status
Dimensions	35 × 125 × 11.5 mm

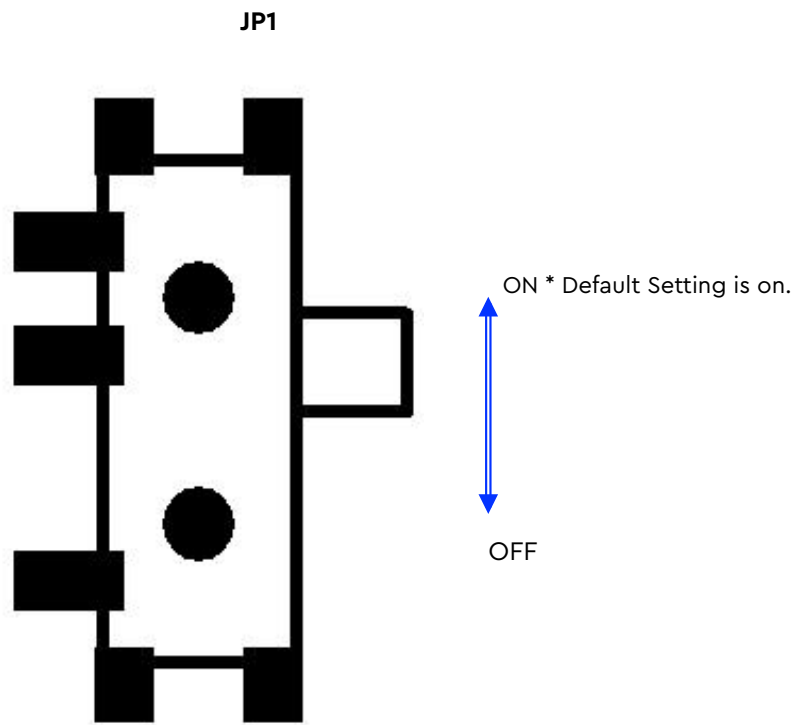
3. Product Dimensions



4. Description of External Cables

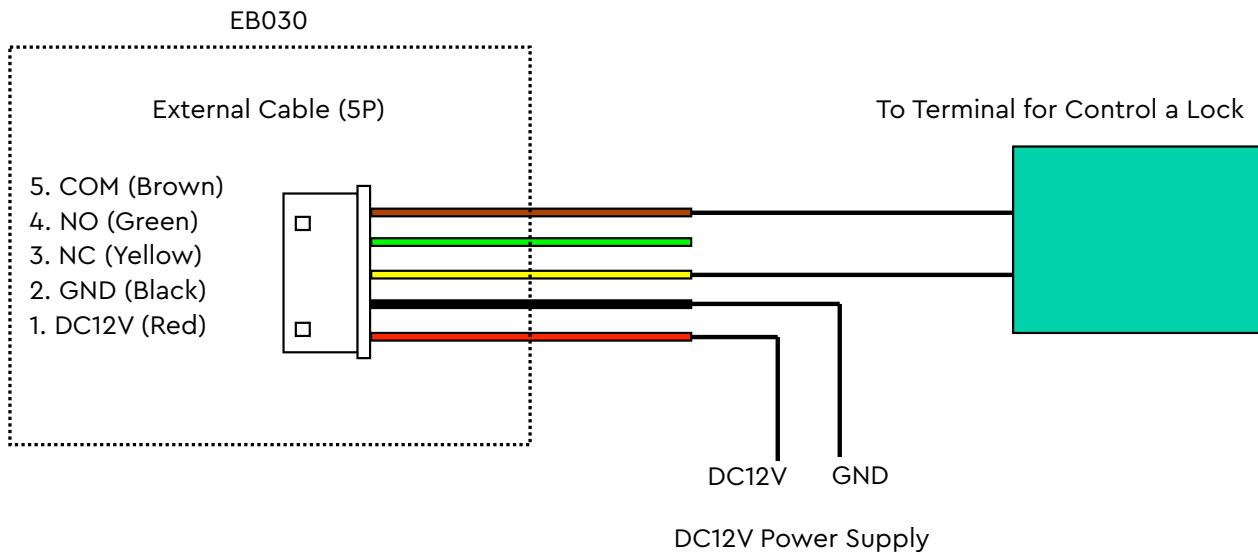


5. Settings



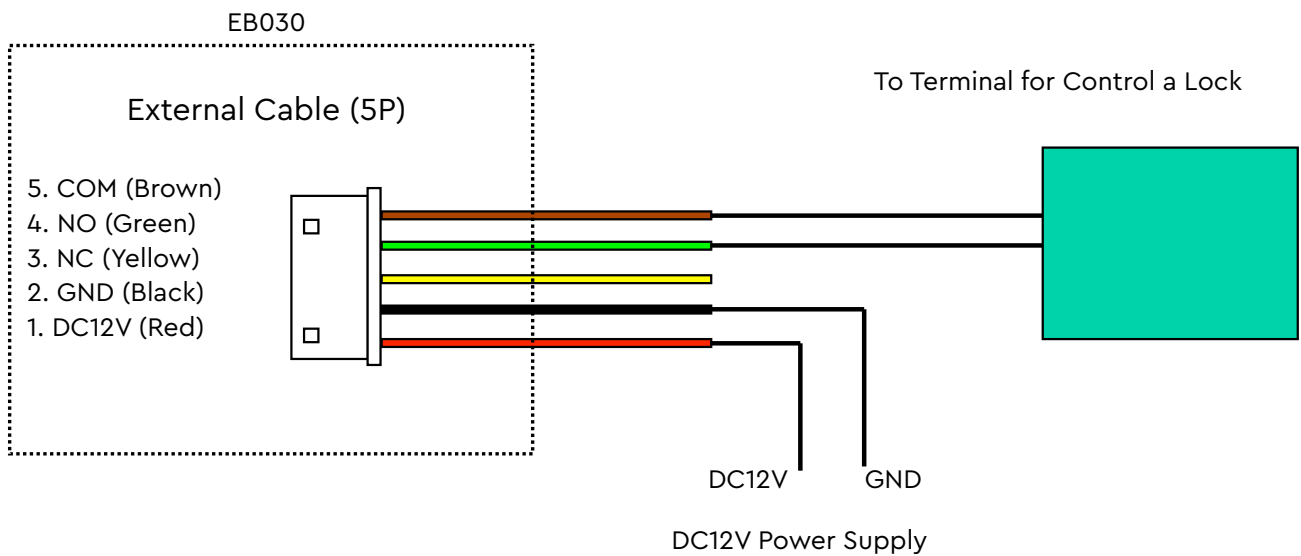
6. How To Connect The External Cable

Connecting Cables for the NC Type



* You must supply DC12V Power to the terminal after completing the installation of the EB030 because of touch-sensitive type specification. Otherwise, it may not operate properly.

Connecting Cables for the NO Type



* You must supply DC12V Power to the terminal after completing the installation of the EB030 because of touch-sensitive type specification. Otherwise, it may not operate properly.

Sales +44(0)1707 330541

Enquiries sales@genieproducts.co.uk

Website www.genieproducts.co.uk

genie